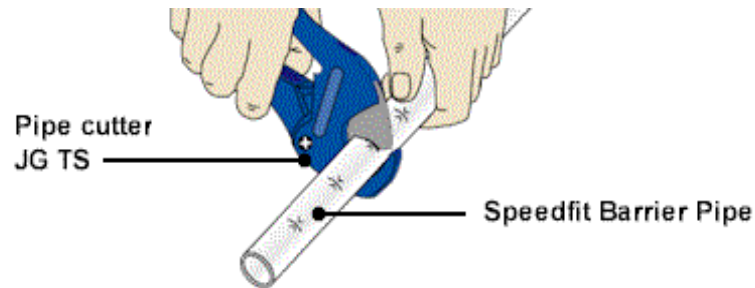


Pipe connection has never been easier than with John Guest fittings.

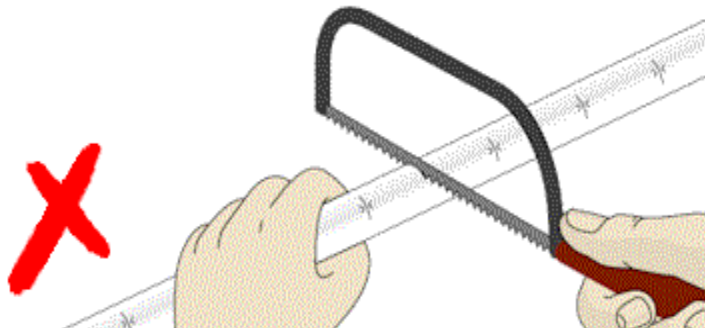
NOTE: Fittings and pipe should be kept clean, bagged and undamaged before use.

### Step 1 - Prepare the connection

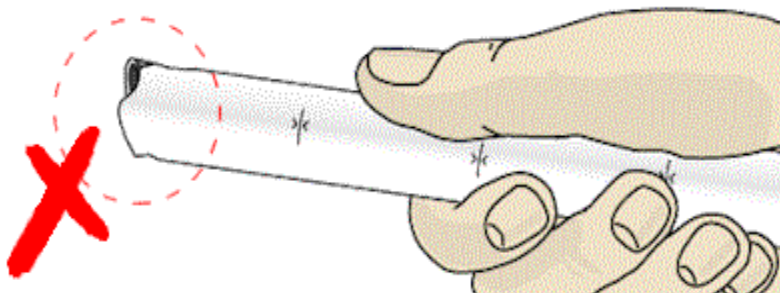
Cut the pipe square ensuring it is free of score marks. When using Speedfit BPEX barrier pipe, cut along an insertion mark. We recommend the use of one of the John Guest pipe cutters. For soft or thin walled plastic pipe we recommend the use of a tube insert or pipe insert.



NOTE: Do NOT use a hacksaw

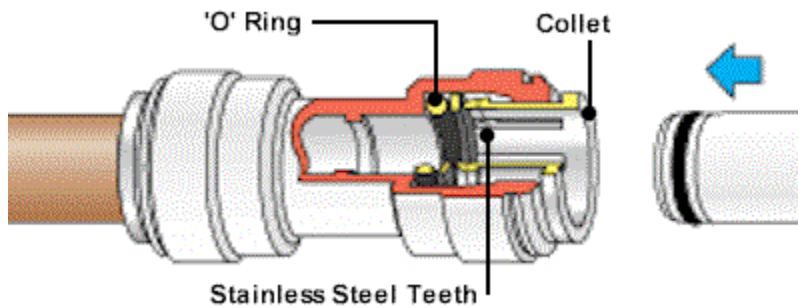


NOTE: To avoid damage to the 'O' Ring, make sure burrs and sharp edges are removed



With the fitting clean and undamaged and the pipe cut square, you are now ready to make the connection.

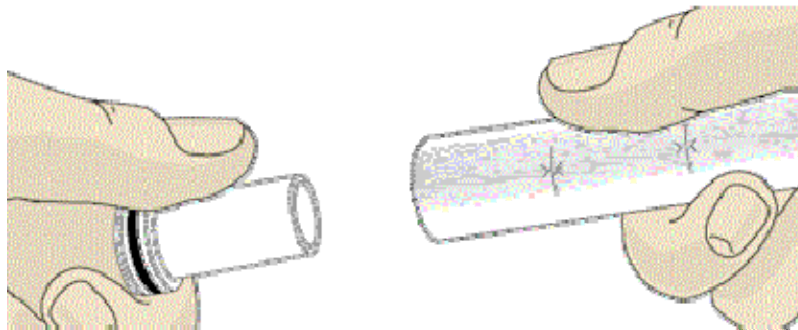
**Do not insert fingers into the fitting as the stainless steel teeth may cause injury.**



## Step 2 - Assemble the connection

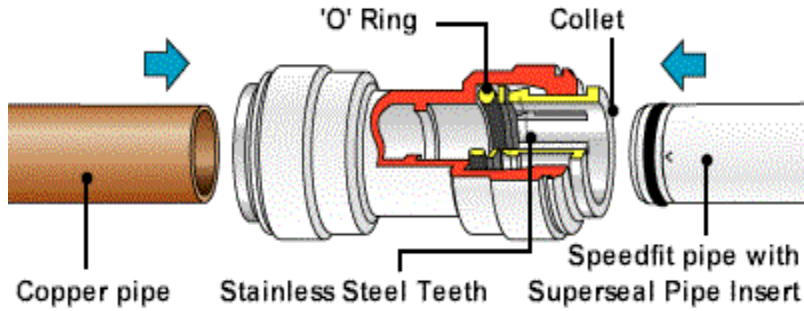
### Connecting standard Speedfit plumbing fittings

Use a John Guest pipe insert when connecting to Speedfit pipe. Enhanced sealing security is available by using the new 'STS' Superseal Pipe Insert. John Guest pipe inserts should only be used with Speedfit pipe.



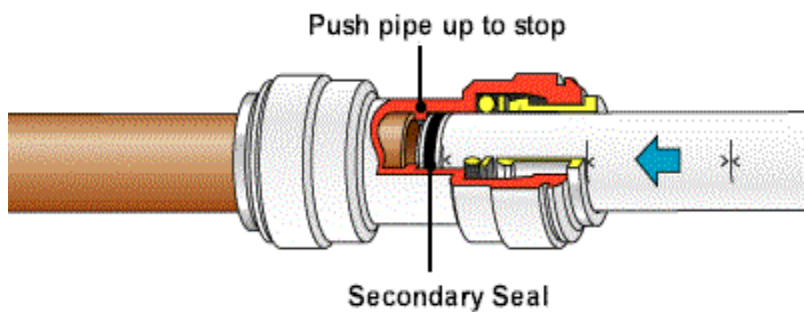
An 'O' ring on the head of the insert and the shape of the stem provide a secondary seal against the bore of the fitting. A combination of this and the main 'O' ring ensure a good connection.

The stem of the insert gives greater rigidity to the length of pipe within the fitting, reducing the chance of leaks if a side load is applied.

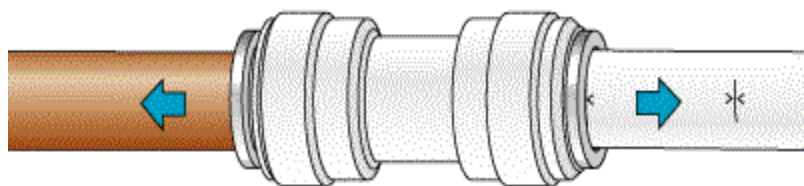


Push the pipe into the fitting, up to the pipe stop. When using correctly cut Speedfit pipe, the insertion mark on the pipe should be level with the collet head.

The 'O' ring on the Superseal Pipe Insert provides a secondary seal against the bore of the fitting.



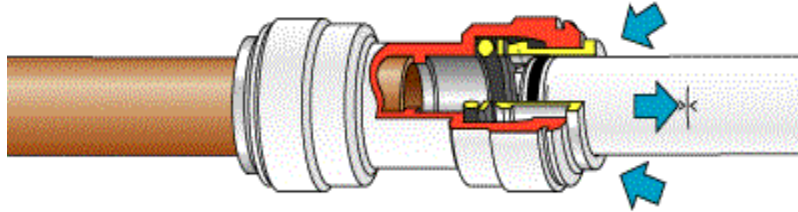
Pull on the pipe to check it is secure. It is good practice to test the system prior to leaving site or before use. Our recommended test procedure is shown in our Technical Checklist.



### Disconnecting standard Speedfit plumbing fittings

Ensure the system is depressurised before removing fitting. The fitting can be removed by using fingers or with the help of the collet release tool. Push the collet squarely against the face of the fitting. With the collet held in this

position, the pipe can be removed. The fitting can then be re-used without the need for replacement parts.



### **Step 3 - Verify the connection**

It is recommended (and good practice dictates) that you remember to pressure test the completed installation before use. For recommended test procedures please refer to the Technical Documentation (available in our catalogues).